

## Filter elements for 3-stage filtration to breathing air acc. ISO 8573-1

Service and maintenance of 3-stage filters, built into systems for wall installations or in mobile air conditioning units, are indispensable. When following conditions occur, the replacement of the filter elements and relevant sealing rings is essential:

- Pressure drop at the filter group is higher than 0.8 bar
- The activated carbon element changed the colour or unpleasant smells are observed
- The activated carbon elements have to be replaced latest one year after start of operation (even when not used)
- Packing  
Revision sets and filter elements are delivered in individual airtight plastic bags. Do not open them before the assembly



The revision sets contain all necessary parts, sealings and drain sets, excluded filter elements.

<b>Stage 1: General purpose filter</b>		
103309	General purpose filter complete	
111592	Revision set	No. 15, 38, 52, 54, 56, 58
111593	Filter element 5 µm	No. 55
<b>Stage 2: Oil removal filter</b>		
111594	Oil removal filter complete	
111595	Revision set	No. 15, 38, 52
111596	Filter element 0.01 µm	No. 53
<b>Stage 3: Activated carbon filter</b>		
103424	Activated carbon filter complete	
111597	Revision set	No. 2, 11
111598	Filter element activated carbon	No. 13

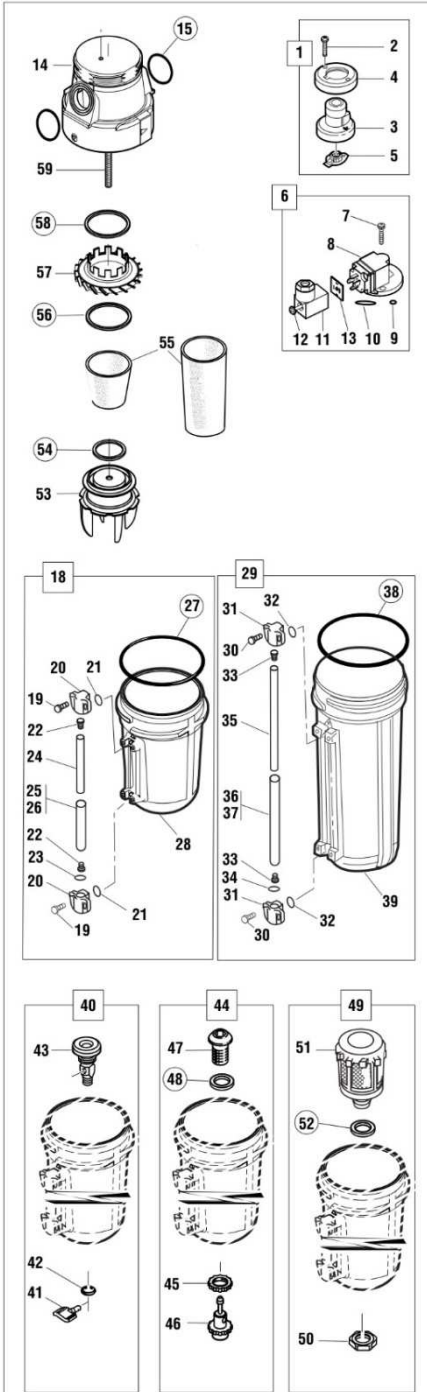
### Technical Features:

Max. operational pressure: 17 bar  
 Quality of the delivered breathing air:  
 Class 1.7.1 according ISO 8573-1  
 Removes particles down to 0.01 µm  
 Max. oil content: 0.003 mg/m<sup>3</sup> (ppm)  
 Temperature range: -20...+65°C

If temperature is lower than +2°C please check air condition.  
 These filters do not remove CO,CO<sub>2</sub> or other toxic gases and do not affect the oxygen content of the feeded compressed air.

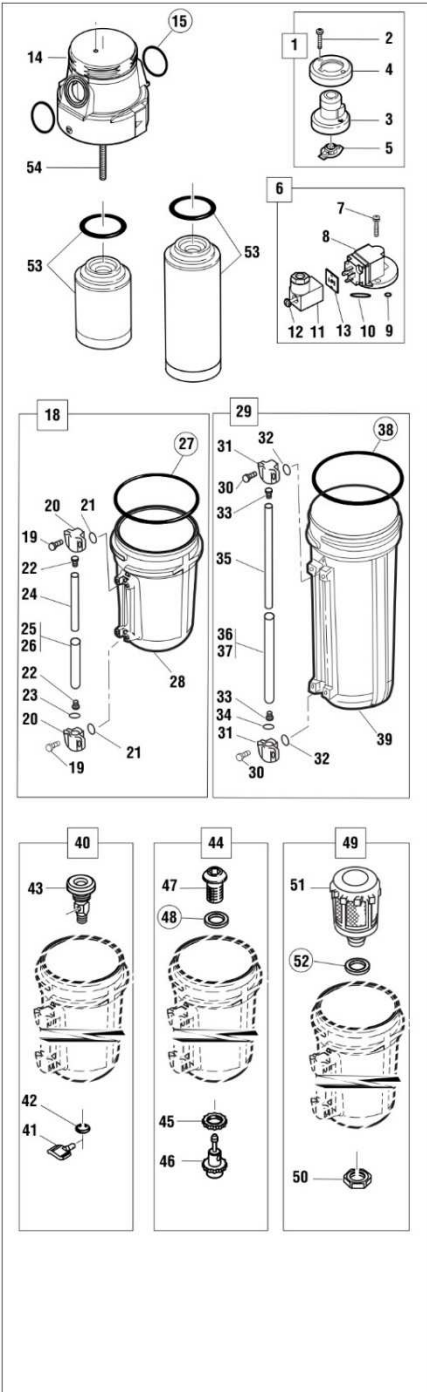
**Spare parts General purpose:**

111592: Revision set:  
No. 15, 38, 52, 54, 56, 58



**Spare parts Oil removal:**

111595: Revision set:  
No. 15, 38, 52



**Spare parts Activated carbon:**

111597: Revision set:  
No. 2, 11

