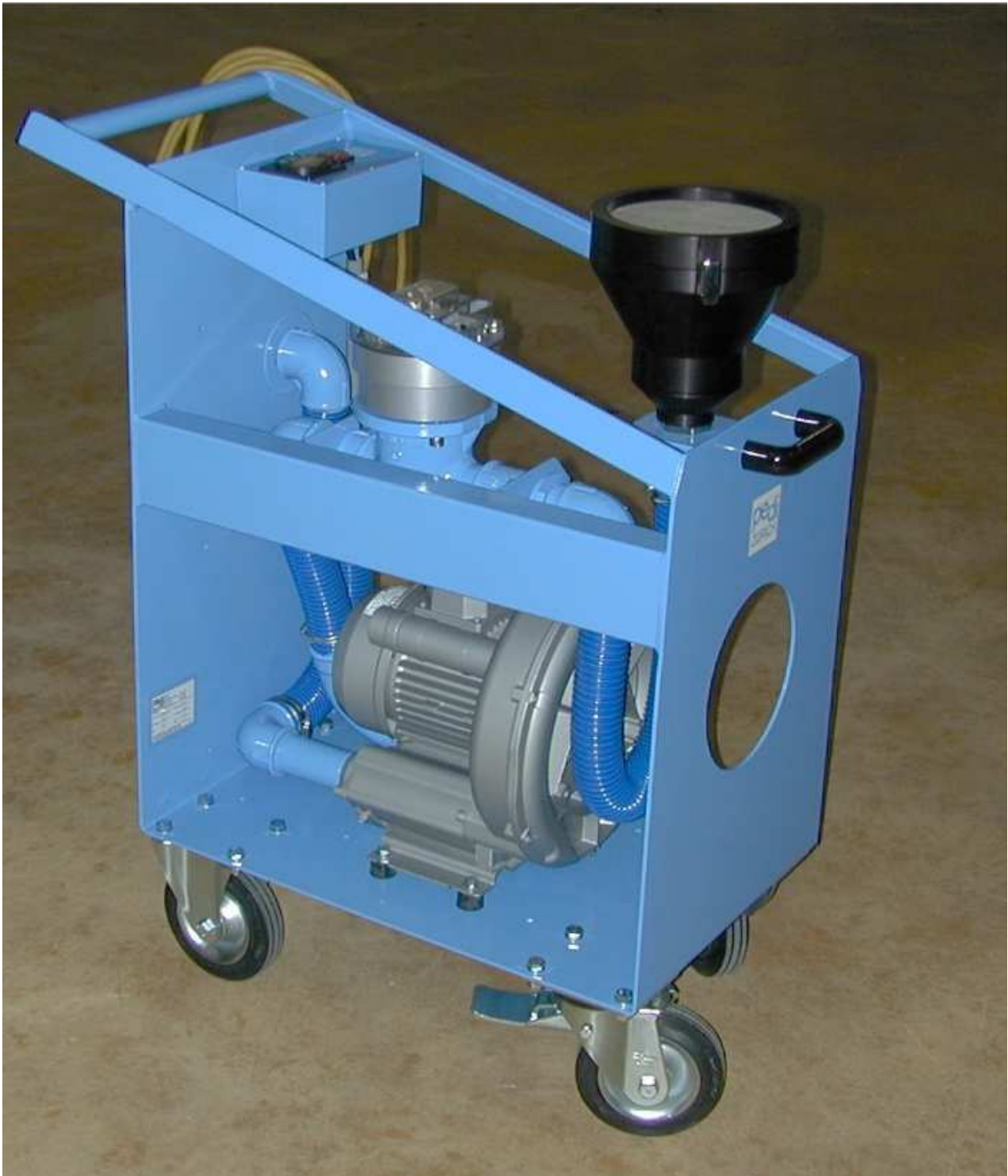


## Air sampler AS 730 and accessories



Air sampler AS 730 XL with filter holder D=200 mm (item no. 115524 + 112419 + 111268).

The air sampler AS 730 allows the sampling of a high volume of air within a short period of time – thus contributing to environmental protection.

- Suction and filtering of airborne particles using round filter papers.
- Filtration with round filters made of cellulose, glass fibres or activated charcoal with diameters of 105 und 200 mm. Further possibilities on request.
- Possibility for simultaneous air sampling on up to 4 different locations, in distances up to 10 m.
- The air flow rate depends on the filter paper used and the filter diameter. Please consult the product info 05199.
- Silent operation, designed for 7d/24h use.
- Continuous operation or operating time time programmable up to 10 hrs with timer.
- Determination of the filtered air volume by a quantometer of high accuracy.
- Air flow rate adjustable between 20...100% by optional frequency converter.
- Version with optional counter of operational time: Display of operational hours (0.01 hr).
- The sampled air can be exhausted with an optional hose.
- Delivery with test protocol (incl. air flow rate).
- Voltage: 230 VAC / 1ph. / 50 Hz  
Power consumption 0.45 kW (AS 730)  
resp. 1.50 kW (AS 730 XL)
- Incl. safety cable (length 5m) and dust cover.
- Filter holders must be ordered separately (see accessories)



Quantometer of high accuracy.



Switches for on/off and operation mode, and timer.

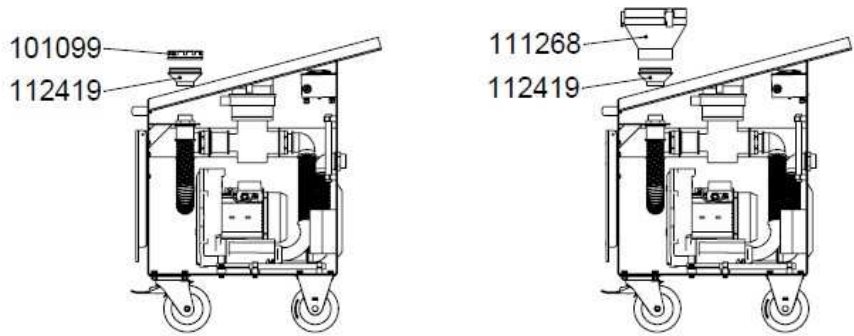
Options:

- Version with frequency converter for infinitely variable speed regulation (throughput)
- Version with volume preselection for automatic switch-off after reaching the preset collection volume
- Counter of time of operation (instead of timer)
- Foldable table as additional storage surface

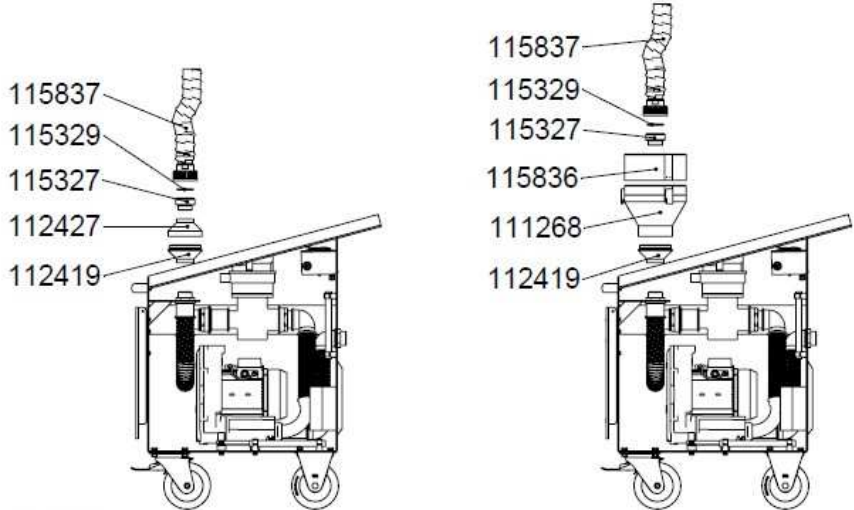
<b>Air sampler:</b>	
on request	<b>Air sampler AS 730</b> with timer Air flow rate with filter of cellulose D=200mm: ca. 40m <sup>3</sup> /h 1-ph., 0.45 kW Connection: Entry and exit: male thread G 1½" Excl. filter holder
115524	<b>Air sampler AS 730 XL</b> with timer Air flow rate with filter of cellulose D=200mm: ca. 100m <sup>3</sup> /h 1-ph., 1.50 kW Connection: Entry and exit: male thread G 1½" Excl. filter holder
115959	<b>Air sampler AS 730 XL</b> with timer and volume preselection Air flow rate with filter of cellulose D=200mm: ca. 100m <sup>3</sup> /h 1-ph., 1.50 kW Connection: Entry and exit: male thread G 1½" Excl. filter holder
115965	<b>Air sampler AS 730 XL</b> with timer and frequency converter Air flow rate with filter of cellulose D=200mm: ca. 100m <sup>3</sup> /h 3-ph., 1.50 kW Connection: Entry and exit: male thread G 1½" Excl. filter holder
<b>Accessories:</b>	
112419	Filter holder for round papers D=105 mm, excl. thread ring
101099	Thread ring, suitable to filter holder 112419
111268	Filter holder for round papers =200 mm (filter holder no. 112419 needed for base)
116125	Collecting cover for simultaneously sampling (4x) with closure cap (filter holder no. 111268 needed for base)
115837	Set of 1 hose (L=10m, D=100mm) with one open end (Screw in part no. 115327 needed for bases)
115838	Set of 1 hose (L=10m, D=100mm) (Collecting cover no. 116125 needed for bases)
115327	Screw-in part AG 1 ½" AG 2 ¼" for connection with filter holder 105 mm
115834	Screw-in part IG 1 ½" AG 2 ¼" for connection with hose 115838
103481	Anemometer for test and adjustment of the air flow rate. (Suitable to thread ring no. 101099).
115933	Foldable table 450x400mm as storage surface with 200 kg load capacity
<b>Options:</b>	
115431	Counter of time of operation (instead of timer).

**Overview Filter diameter system: 105 mm 200 mm**

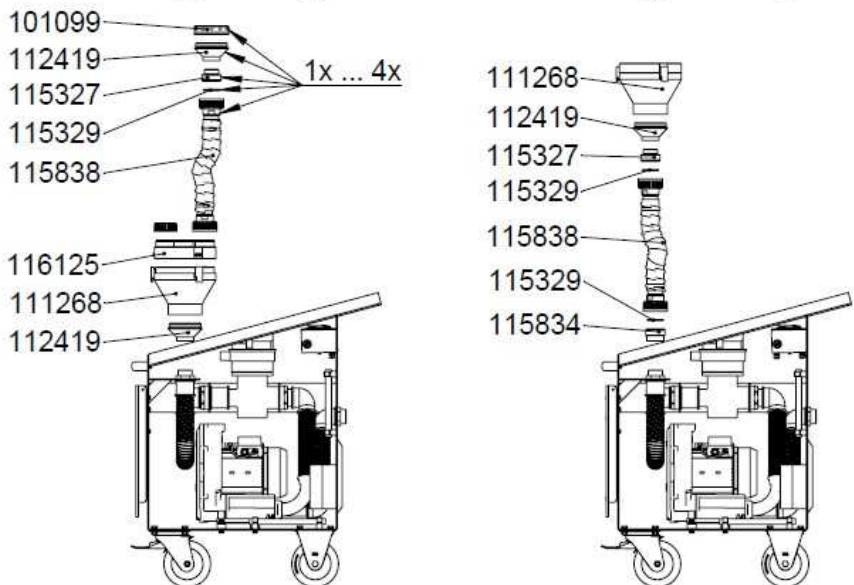
Filtering directly on the device



Filtering directly on the device with suction hose



Filtering on site with suction hose



Accessories for 105 mm filtering		Accessories for 200 mm filtering	
112419	Holder paper 105 mm	112419	Holder paper 105 mm
101099	Threaded ring for filter cone 105 mm	111268	Holder paper 200 mm
112427	Filter cone 105 mm top	115836	Collection cover for 1 hose
115327	Screw-in part AG 1 ½" AG 2 ¼"	115327	Screw-in part AG 1 ½" AG 2 ¼"
115329	O-ring ø 47 x 5.34 mm	115329	O-ring ø 47 x 5.34 mm
115837	Spiral hose set I L = 10 m	115837	Spiral hose set I L = 10 m
111268	Holder paper 200 mm	115834	Screw-in part IG 1 ½" AG 2 ¼"
116125	Collection cover for 4 hoses	115838	Spiral hose set II L = 10 m
115838	Spiral hose set II L = 10 m		